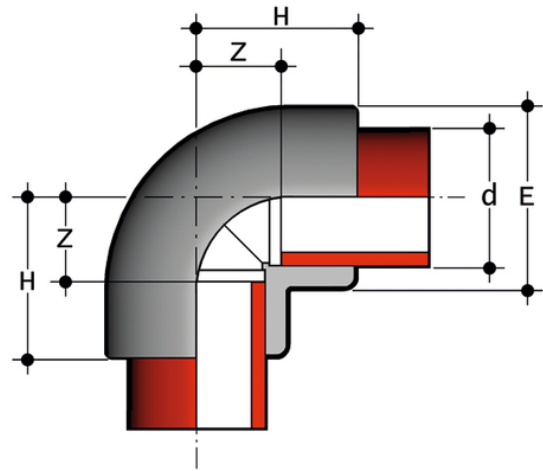


GIM - Elbow

90° elbow for socket welding, equal socket.



Reference	tooltimage	system	Category	family	d	DN	PN	E	H	Z	g
GIM020	-	PP-H system	Pressure Fittings	ISO-UNI Fittings Socket Welding	20	15	10	28	28	13	14
GIM025	-	PP-H system	Pressure Fittings	ISO-UNI Fittings Socket Welding	25	20	10	34	32	16	23
GIM032	-	PP-H system	Pressure Fittings	ISO-UNI Fittings Socket Welding	32	25	10	42	37	20	37
GIM040	-	PP-H system	Pressure Fittings	ISO-UNI Fittings Socket Welding	40	32	10	52	43	22	64
GIM050	-	PP-H system	Pressure Fittings	ISO-UNI Fittings Socket Welding	50	40	10	64	51	28	105
GIM063	-	PP-H system	Pressure Fittings	ISO-UNI Fittings Socket Welding	63	50	10	79	61	34	180
GIM075	-	PP-H system	Pressure Fittings	ISO-UNI Fittings Socket Welding	75	65	10	93	73	42	300
GIM090	-	PP-H system	Pressure Fittings	ISO-UNI Fittings Socket Welding	90	80	10	111	85	49	455
GIM110	-	PP-H system	Pressure Fittings	ISO-UNI Fittings Socket Welding	110	100	10	135	101	59	815