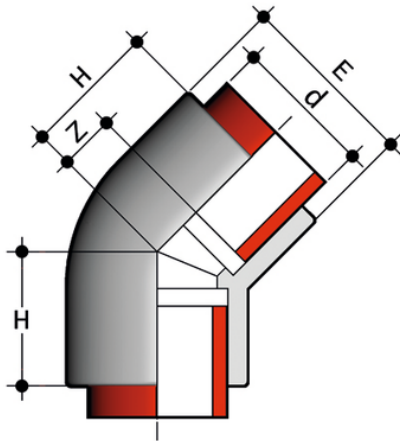


# HIM - Elbow

45° elbow for socket welding, equal socket.



Reference	tooltiplmage	system	Category	family	d	DN	PN	E	H	Z	g
HIM020	-	PP-H system	Pressure Fittings	ISO-UNI Fittings Socket Welding	20	15	10	28	21	7	12
HIM025	-	PP-H system	Pressure Fittings	ISO-UNI Fittings Socket Welding	25	20	10	34	25	9	19
HIM032	-	PP-H system	Pressure Fittings	ISO-UNI Fittings Socket Welding	32	25	10	42	29	12	33
HIM040	-	PP-H system	Pressure Fittings	ISO-UNI Fittings Socket Welding	40	32	10	52	36	15	57
HIM050	-	PP-H system	Pressure Fittings	ISO-UNI Fittings Socket Welding	50	40	10	63	43	19	105
HIM063	-	PP-H system	Pressure Fittings	ISO-UNI Fittings Socket Welding	63	50	10	79	51	24	182
HIM075	-	PP-H system	Pressure Fittings	ISO-UNI Fittings Socket Welding	75	65	10	92	53	20	200
HIM090	-	PP-H system	Pressure Fittings	ISO-UNI Fittings Socket Welding	90	80	10	113	61	23,5	335
HIM110	-	PP-H system	Pressure Fittings	ISO-UNI Fittings Socket Welding	110	100	10	135	71	28	610