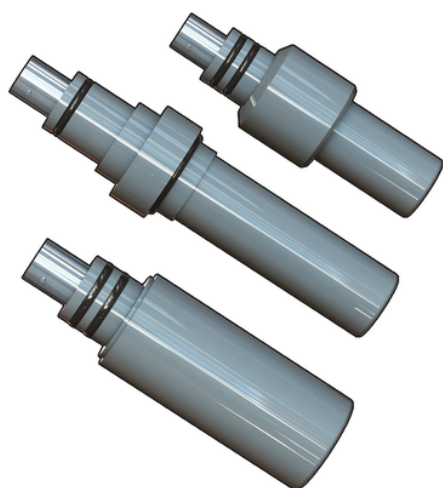


ORP6XX CD

C-PVC double junction Flat surface electrodes



Reference	tootiplmage	system	Category	family	series	Features	Operative Range	Cable*	Connection	Install
ORP650CD	-	Automation system	FLS Measurement and control Instrumentation	ph / ORP / Conductivity Electrodes	Bulb and Flat pH/ ORP Electrodes with Epoxy, C-PVC, Ryton or Glass body	-	-	CN 653 \$ CN653 TC1	Twist-lock (BNC)	MIFV20 \$ MIMC2
ORP650CDDA	-	Automation system	FLS Measurement and control Instrumentation	ph / ORP / Conductivity Electrodes	Bulb and Flat pH/ ORP Electrodes with Epoxy, C-PVC, Ryton or Glass body	Signal amplified	Presence of stray currents	CN 653 \$ CN653 TC1	Twist-lock (BNC)	MIFV20 \$ MIMC2
ORP655CD	-	Automation system	FLS Measurement and control Instrumentation	ph / ORP / Conductivity Electrodes	Bulb and Flat pH/ ORP Electrodes with Epoxy, C-PVC, Ryton or	With pressurized filling gel	-	CN 653	Twist-lock (BNC)	WT675 WT675



ORP6XX CD

Reference	tooltiplmage	system	Category	family	series	Features	Operative Range	Cable*	Connection	Install
ORP660CD	-	Automation system	FLS Measurement and control Instrumentation	ph / ORP / Conductivity Electrodes	Glass body Bulb and Flat pH/ ORP Electrodes with Epoxy, C-PVC, Ryton or Glass body	-	-	CN 653	Twist-lock (BNC)	EG66P MK660
ORP660CDDA	-	Automation system	FLS Measurement and control Instrumentation	ph / ORP / Conductivity Electrodes	Bulb and Flat pH/ ORP Electrodes with Epoxy, C-PVC, Ryton or Glass body	Signal amplified	Presence of stray currents	CN 653	Twist-lock (BNC)	EG66P MK660

ORP6XX CD

APPLICATIONS:

- Water & Wastewater treatment
- Pre-chlorination & de-chlorination
- Neutralization systems
- Water quality monitoring
- Ozone treatment
- Coolingtowers
- Boiler systems
- Bleach production
- Pulp bleaching
- Aquaculture
- Fruit and vegetables washing
- Textile Dye Process

MAIN FEATURES:

- pH and ORP versions
- Flat electrodes
- Double junction technology
- Large gel reference volume
- High protection from process contamination
- Easy and quick installation system
- BNC connector
- In line, submersion or hot tap installation
- Low cost fittings
- HF option (pH) for liquids with HF (max. 2%) inside
- LC option (pH) on request for pure water (<100us >)