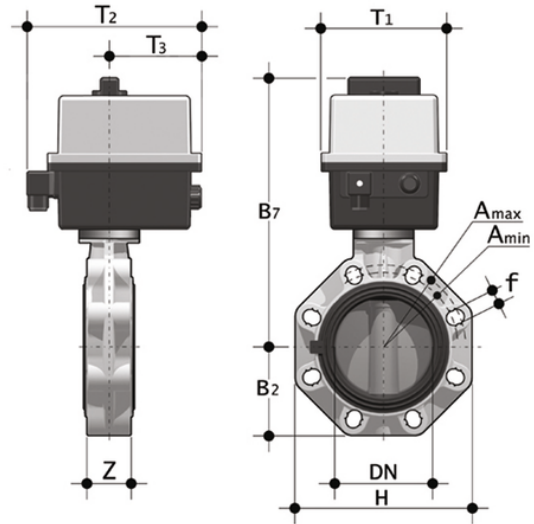


FKOV/CE 24V AC/DC - Electrically actuated butterfly valve DN 40:100

Butterfly valve with electric actuator 24 V AC/DC.



EPDM

Reference	tooltiplmage	system	Category	family	series	d	DN	PN	B ₂	H	Z	Amin	Amax	ΦA	f	U	B ₇	T ₁	T ₂	T ₃
FKOVEL050E	-	Automation system	Electrically actuated valves	Butterfly valves	FK/CE DN 40÷400	50-1"1/2	40	16	60	132	33	99	109	-	19	4	253	92	189	92
FKOVEL063E	-	Automation system	Electrically actuated valves	Butterfly valves	FK/CE DN 40÷400	63-2"	50	16	70	147	43	115	125.5	-	19	4	259	92	189	92
FKOVEL075E	-	Automation system	Electrically actuated valves	Butterfly valves	FK/CE DN 40÷400	75-2"1/2	65	10	80	165	46	128	144	-	19	4	266	92	189	92
FKOVEL090E	-	Automation system	Electrically actuated valves	Butterfly valves	FK/CE DN 40÷400	90-3"	80	10	93	185	49	145	160	-	19	12	308	128	204	92
FKOVEL110E	-	Automation system	Electrically actuated valves	Butterfly valves	FK/CE DN 40÷400	110-4"	100	10	107	211	56	165	190	-	19	8	322	128	204	92

FKM

Reference	tooltiplmage	system	Category	family	series	d	DN	PN	B ₂	H	Z	Amin	Amax	ΦA	f	U	B ₇	T ₁	T ₂	T ₃
FKOVEL050F	-	Automation system	Electrically actuated valves	Butterfly valves	FK/CE DN 40÷400	50-1"1/2	40	16	60	132	33	99	109	-	19	4	253	92	189	92



FKOV/CE 24V AC/DC - Electrically actuated butterfly valve DN 40:100

Reference	tooltiplmage	system	Category	family	series	d	DN	PN	B ₂	H	Z	Amin	Amax	ΦA	f	U	B ₇	T1	T2	T
FKOVEL063F	-	Automation system	Electrically actuated valves	Butterfly valves	FK/CE DN 40÷400	63-2"	50	16	70	147	43	115	125.5	-	19	4	259	92	189	9
FKOVEL075F	-	Automation system	Electrically actuated valves	Butterfly valves	FK/CE DN 40÷400	75-2"1/2	65	10	80	165	46	128	144	-	19	4	266	92	189	9
FKOVEL090F	-	Automation system	Electrically actuated valves	Butterfly valves	FK/CE DN 40÷400	90-3"	80	10	93	185	49	145	160	-	19	12	308	128	204	9
FKOVEL110F	-	Automation system	Electrically actuated valves	Butterfly valves	FK/CE DN 40÷400	110-4"	100	10	107	211	56	165	190	-	19	8	322	128	204	9



FKOV/CE 24V AC/DC - Electrically actuated butterfly valve DN 40:100

In addition to the manually actuated version, FK is also available in FK/CE electrically actuated and FK/CP pneumatically actuated configurations. FK/CE and FK/CP are constructed with actuators meeting current regulations and selected by FIP according to their quality and reliability requirements. The efficiency of these valves, tested according to the company's quality standards, is guaranteed by the expertise and know-how that FIP dedicates to manufacturing its products.

- Electric actuator constructed according to FIP specifications; with plastic shell and standard emergency override. Available with voltages from 12 to 240V
- Rack & pinion type pneumatic actuator constructed according to FIP specifications: fully protected against weather corrosion available in double-acting (DA) or simple-acting normally closed (NC) or normally open (NO) versions
- Square section stainless steel stem completely isolated from the fluid
- Body in fibreglass reinforced polypropylene based compound (PP-GR) UV resistant and characterised by high mechanical resistance
- Drilling pattern with oval slots that allow coupling to flanges according to numerous international standards. The special self-centring inserts in ABS supplied for DN 40÷200 guarantee the correct axial alignment of the valve during installation. For DN 250÷400 valves, the drilling pattern for the self-centring system is of the traditional type according to DIN and ANSI standards
- Interchangeable liner with the dual function of forming a hydraulic seal and isolating the body from the fluid
- PVC-U, PVCC, PP-H, ABS and PVDF through shaft disk
- Overall dimensions of the valve in accordance with standard ISO 5752 (DN 40÷200 Medium Series 25, DN 250÷300 Long Series 16) and DIN 3202 K2 and ISO 5752 (DN 65÷200 K2, DN 250÷300 K3)
- Can also be installed as an end line valve, bottom discharge valve or tank dump valve
- Special Lug version PN 10 fully drilled to DIN 2501 or ANSI B16.5 cl.150 with molded-in AISI 316 stainless steel threaded inserts
- Valve material compatibility with water conveyance, drinking water and other food substances according to current regulations
- Possibility of installing pneumatic and/or electric actuators by applying ISO standard drilling PP-GR flanges. DN 40÷200 valve fitted with plate with rack in PP-GR. For actuated versions with flange drilled according to ISO 5211 F05, F07, F10. DN 250÷400 valve, fitted with one-piece top flange in high mechanical strength PP-GR with mounting flange for internal components drilled according to standard ISO 5211 F10 (excluding DN 350÷400), F12, F14