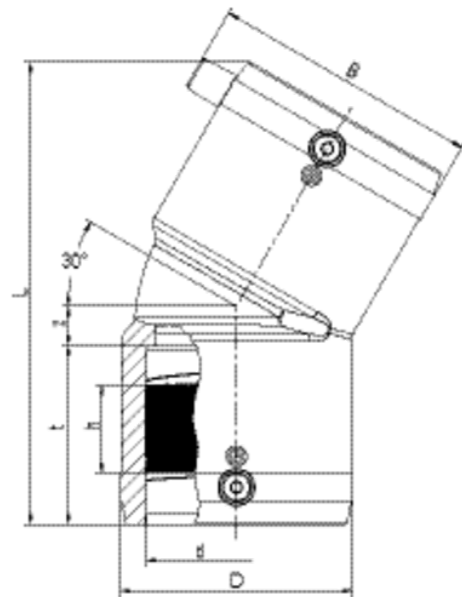


W30 SDR 11

Elbow 30°, SDR 11

Elbow W30 SDR 11

- Gas, water and H₂
- Maximum pressure: Gas 10 bar, Water 16 bar
- Material: PE 100
- Angle 30 degrees
- Safety technology
- DVGW test mark: DV-8606AU2249
- FM Approvals Class: 1613 (d 90 - d 225)



PE 100 SDR 11

Maximum permissible working pressure 16 bar (water) / 10 bar (gas)



Reference	d	BX	PU	D	L	t	z	h	B	Weight kg
615272	90	8	144	115	224	72	24	43	123	0,780
615273	110	6	108	142	252	83	27	47	157	1,260
615274	125	4	72	158	270	85	30	51	162	1,640
615340	160	5	40	199	350	96	40	59	198	3,870
616261	180	3	24	229	390	101	79	57	234	4,990
616262	200	1	18	254	412	106	84	54	256	6,350
616263	225	1	18	281	456	123	86	64	282	8,220

FRIALEN safety fittings can be fused with pipes with SDR levels 11 to 17.6.

Other SDR levels available on request.

Please note the mandatory labels directly on the product.

DVGW test mark issued: DV-8606AU2249

W30 SDR 11

Elbow 30°, SDR 11

Areas of Application

The FRIALEN-Elbow W30° is used for all changes of direction in HD-PE pipes.

Assembly Instructions

The fusion of the pipe ends with the FRIALEN Elbows W30° takes place by FRIALEN-fusing – leakproof and longitudinally strong.

The pipe ends are prepared according to the general installation instructions (see "Assembly Instructions" for "FRIALEN Safety Fittings for house connections and distribution pipes up to d 225"). This involves removing the oxide skin and cleaning the pipe ends.

Good reasons for using the FRIALEN Elbows W30°:

- Large coupler depth for ease of pipe guiding (no holding clamps required)
- Extra wide fusion zones
- Maximum stability through great wall thickness
- Cold zones at the front side and in the middle of the coupler
- Exposed heating coil for direct heat transmission to the pipe
- Small annular gap for build-up of optimum joining pressure in the fusion zone
- Contacts safe to touch
- Fusion indicator for visual fusion control
- Durable batch marking
- Individually wrapped for dirt protection
- Additional barcode for tracing back the fitting (Traceability-Coding)