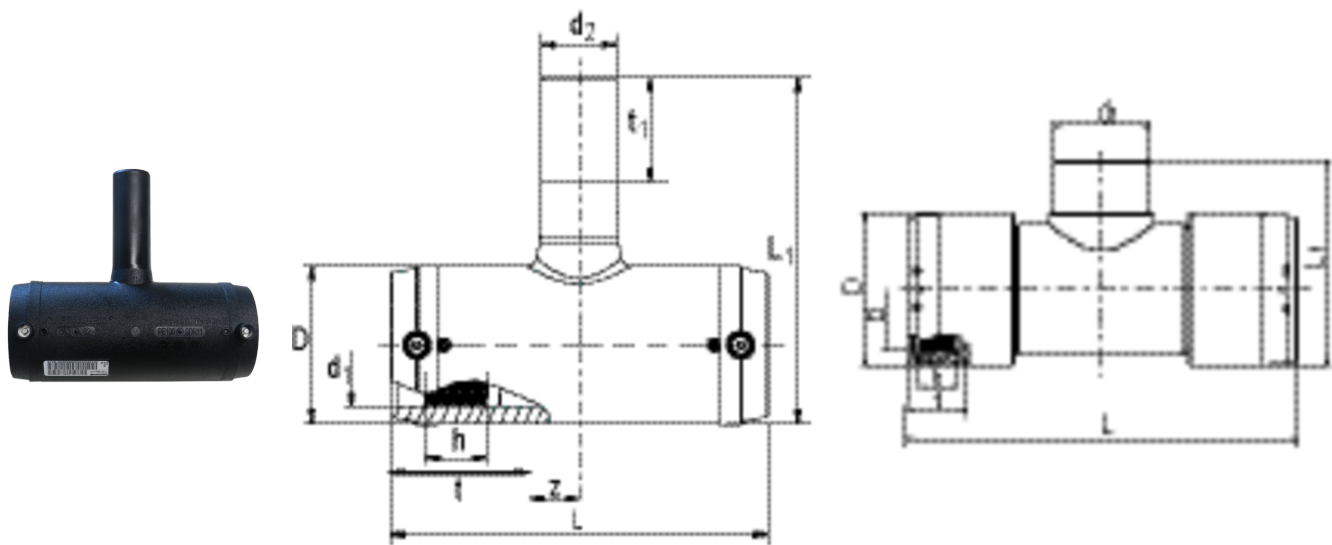


# TA RED SDR 11

## T-piece with reduced spigot, SDR 11

T-piece TA RED SDR 11 with reduced spigot

- Gas, water and H<sub>2</sub>
- Working pressure: MOP (gas) 10 bar, PFA (water) 16 bar
- Material: PE 100
- Reduced spigots
- Safety technology
- DVGW test mark: DV-8601AU2248, DV-8606AU2249 and DV-8611AU2250



With long outlet spigot



Reference	d <sub>1</sub>	d <sub>2</sub>	BX	PU	D	L	L <sub>1</sub>	t	t <sub>1</sub>	z	h	B	Weight kg
616417	32	20	30	540	46	116	117	44	42	14	22	62	0,110
616418	40	32	20	360	55	146	148	46	51	28	25	70	0,170
616419	50	32	15	270	69	175	158	55	51	33	28	82	0,300
616420	50	40	15	270	69	175	167	55	55	33	28	82	0,320
616421	63	32	10	180	84	197	173	63	51	36	32	96	0,440
616422	63	40	10	180	84	197	182	63	55	36	32	96	0,450
616423	63	50	10	180	84	197	197	63	60	36	32	96	0,500

FRIALEN safety fittings can be fused with SDR11 - SDR17.6 pipes.

Minimum wall thickness s minimum ≥ 3 mm.

Other levels of SDR can be processed on request.

Please note the mandatory labels directly on the product.

# TA RED SDR 11

## T-piece with reduced spigot, SDR 11

DVGW test mark issued: DV-8601AU2248, DV-8606AU2249 and DV-8611AU2250.

Dimension B = Diameter D with contact pin

With standard outlet spigots



Reference	d <sub>1</sub>	d <sub>2</sub>	BX	PU	D	L	L1	t	t <sub>1</sub>	z	h	B	Weight kg
616675	90	32	10	80	116	280	172	79	44	61	43	126	1,050
616676	90	63	10	80	116	280	191	79	63	61	43	126	1,100
616678	110	63	8	64	141	310	216	82	63	73	48	148	1,700
616679	110	90	8	64	141	310	244	82	79	73	48	148	1,850
616681	160	90	3	24	203	390	305	98	79	97	45	205	4,400
616682	160	110	3	24	203	390	308	98	82	97	45	205	4,500
616683	160	125	3	24	203	390	313	98	87	97	45	205	4,600
617174	180	125	2	16	223	495	357	105	87	143	49,9	228	7,160
617176	200	90	1	8	247	540	360	112	79	158	50,3	250	8,410
617177	200	110	1	8	247	540	370	112	82	158	50,3	250	8,890
617178	200	160	1	8	247	540	401	112	98	158	50,3	250	9,900
617180	225	90	1	8	278	590	389	120	79	175	61,2	281	11,550
617181	225	110	1	8	278	590	399	120	82	175	61,2	281	12,200
617182	225	160	1	8	278	590	430	120	98	175	61,2	281	13,370
616427	250	225	1	2	310	770	440	128	-	254	80	-	21,800
616429	280	225	1	2	350	905	475	139	-	312	84	-	30,800
616431	315	225	1	2	396	940	525	150	-	359	80	-	43,500

FRIALEN safety fittings can be fused with SDR11 - SDR17.6 pipes.

Minimum wall thickness s minimum  $\geq 3$  mm.

Other levels of SDR can be processed on request.

Please note the mandatory labels directly on the product.

DVGW test mark issued: DV-8601AU2248, DV-8606AU2249 and DV-8611AU2250.

Dimension B = Diameter D with contact pin

# TA RED SDR 11

## T-piece with reduced spigot, SDR 11

### Areas of Application

The FRIALEN reduced TA red pieces are used for pipe outlets of HD-PE pipelines.

### Assembly Instructions

The fusion of the pipe ends with the FRIALEN TA red takes place by FRIALEN-fusing – leakproof and longitudinally strong.

The pipe ends are prepared (removing the oxide layer/cleaning) according to the general installation instructions (see "Assembly Instructions" for "FRIALEN-Safety Fittings for house connections and distribution pipes up to d 225").

### Good reasons for using the FRIALEN TA red:

- Large coupler depth for ease of pipe guiding (no holding clamps required)
- At dim. up to d<sub>1</sub> 63, Length of outlet spigot dimensioned for two fusion operations
- Extra wide fusion zones
- Maximum stability through great wall thickness
- Cold zones at the front side and in the middle of the coupler
- Exposed heating coil for direct heat transmission to the pipe
- Small annular gap for build-up of optimum joining pressure in the fusion zone
- Touch proof electric contacts
- Durable batch marking
- Individually wrapped for dirt protection
- Additional barcode for tracing back the fitting (Traceability-Coding)