

DAP

Horizontal tapping tee, SDR 11

Horizontal tapping tee DAP SDR 11

- Gas and water
- Maximum pressure: Gas 10 bar, Water 16 bar
- Material: PE 100
- Conventional clamping technology (brackets and screws)
- Vertical outlet for special solutions:
 - Space-saving installation
 - With 90 degree elbow and ball valve = Rotatable dome 360 degrees
- Leak test possible before drilling.
- Integrated drill with upper and lower inner stop
- Sealing plug with internal sealing O-ring
- Safety technology
- DVGW test mark: DV-8601AU2248 and DV-8606AU2249

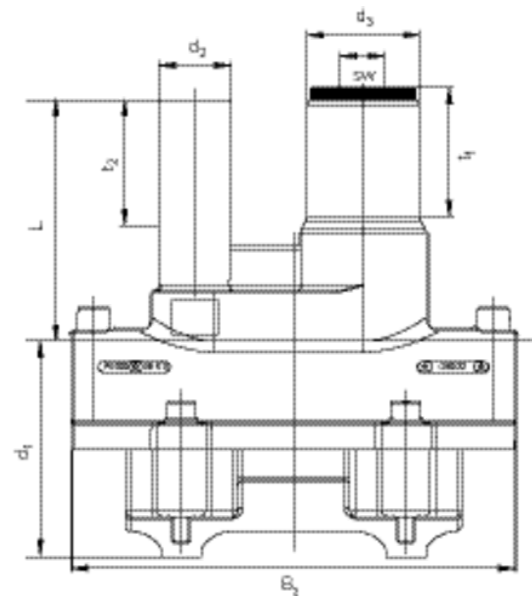
Note:

When using 100% hydrogen (H₂), the DAP pressure tapping fitting must be installed with a DK sealing cap (order no. 612310).

The DAP was not tested with H₂. However, due to the design being similar to the DAA, we assume that it is suitable for H₂. As a precautionary measure, we recommend additionally using a DK cap for all new DAP installations.

Utilise the operating key FWSS SW 17 for d 63 (Order No. 613246) or FWSS SW 19 from d 90 (Order No. 613250).

There is a suitable pressure test adapter FWDPA for DAP (Order No. 613595).



PE 100 SDR 11

Maximum permissible working pressure 16 bar (water) / 10 bar (gas)



DAP

Horizontal tapping tee, SDR 11

Reference	d ₁	d ₂	BX	PU	d ₃	L	t ₁	t ₂	Drilling Ø d _a	Weight kg
616042	63	32	16	288	40	125	50	84	21	0,630
615581	110	32	12	96	50	158	58	115	30	1,280
615606	110	50	12	96	50	158	58	115	30	1,380
615711	125	32	12	96	50	158	58	115	30	1,310
615712	125	50	12	96	50	158	58	115	30	1,360
615713	160	32	8	64	50	170	70	115	30	1,540
615714	160	50	8	64	50	170	70	115	30	1,560
615715	180	32	6	48	50	170	70	115	30	1,540
615716	180	50	6	48	50	170	70	115	30	1,560
615717	225	32	6	48	50	170	72	115	30	1,570
615718	225	50	6	48	50	170	72	115	30	1,590

FRIALEN pressure tapping tees $\leq d\ 63$ are applicable for pipes of SDR level 11 and $> d\ 63$ for pipes of SDR level 11 to 17.6. Minimum wall thickness s minimum ≥ 3 mm. Other levels of SDR can be processed on request. Please note the mandatory labels directly on the product. DVGW test marks issued: DV-8601AU2248 and DV-8606AU2249.

DAP

Horizontal tapping tee, SDR 11

Areas of Application

The FRIALEN DAP is used for HD-PE pipe systems both in the water and gas industry. The outlet spigot has been designed to be extra long. These pressure tapping tees are particularly suited for space-saving horizontal installation.

Assembly Instructions

The fusion of the HD-PE distribution pipes and the house connections with FRIALEN-Pressure Tapping Tees takes place by FRIALEN-fusing – leakproof and longitudinally strong.

The saddle and the outlet spigot have to be prepared according to the general installation instructions (see "Assembly Instructions" for "FRIALEN-Safety Fittings for house connections and distribution pipes up to d 225"). This involves removing the oxide skin and cleaning the pipe covered by the saddle.

Good reasons for using FRIALEN DAP Pressure Tapping Tees:

- Economy due to space-saving horizontal installation. Excavation depth of pipe system trenches reduced by 10-20 cm
- Protection from damage during subsequent work in the trench through the dome and outlet being positioned below the mains pipe apex
- Length of the outlet spigot measured for 2 fusions
- Additional barcode for tracing back the underground fitting (Traceability-Coding)

In addition, all tried-and-tested advantages of a FRIALEN Pressure Tapping Tee apply:

- Drill guidance through metallic threaded coupling
- No gas escapes during drilling process
- Little force required for drilling
- Secure position of the cut-out calotte in the drill
- Upper and lower end position
- Broad fusion zone
- Valve dome can be fused with the seal cap after drilling
- No shavings on drilling
- Possible to carry out leakage check before drilling