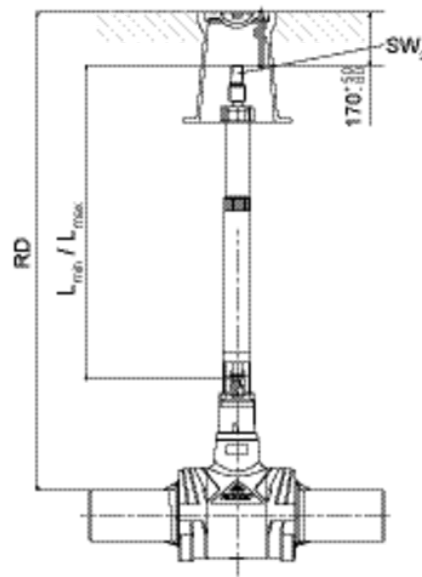


# FBS

## Actuating linkage for FRIALOC PE shut-off valves

Actuating linkage FBS for FRIALOC

- To operate the FRIALOC from the road cap downwards
- ClickFix (tool-free)
- Wrench size SW19 (19 mm)
- Telescopic bar:
  - Length fitting
  - Continuously adjustable (without tools)
- Self-supporting
- Corrosion free



Steel linkage, hot-dipped galvanised

| Reference | RD in m    | BX | PU | l <sub>min</sub> | l <sub>max</sub> | sw2 | Weight kg |
|-----------|------------|----|----|------------------|------------------|-----|-----------|
| 616308    | 0,75 - 1,0 | 1  | 42 | 397              | 571              | 30  | 2,500     |
| 616309    | 0,9 - 1,3  | 1  | 42 | 552              | 881              | 30  | 2,950     |
| 616310    | 1,2 - 1,8  | 1  | 42 | 817              | 1441             | 30  | 3,850     |
| 616318    | 1,5 - 2,3  | 1  | 42 | 1035             | 1847             | 30  | 4,400     |

## FBS

# Actuating linkage for FRIALOC PE shut-off valves

### Area of application

Telescopic activation bar to operate the FRIALOC PE shut-off valve from the street cap.

### Assembly instructions

Before fusion, the FRIALOC PE shut-off valve must be aligned corresponding to the planned actuation to guarantee a correct positioning of the FRIALEN installation kit (FBS).

### Good reasons for the installation kit FBS for FRIALOC PE shut-off valves:

- easy and safe installation thanks to KlickFix® system
- protective pipe of polyethylene protects from intrusion of sand or soil
- pull tight connection between FRIALOC and protective pipe: solid and dirt-proof
- assembly without tools
- self-supporting in all telescopic positions
- safe from being pulled out
- corrosion-resistant
- telescopic installation kit can also be adjusted even once in place and filled
- constructive harmonizing of the transferable torque onto the FRIALOC PE shut-off valve
- Connexion pins made of stainless steel