

KBS

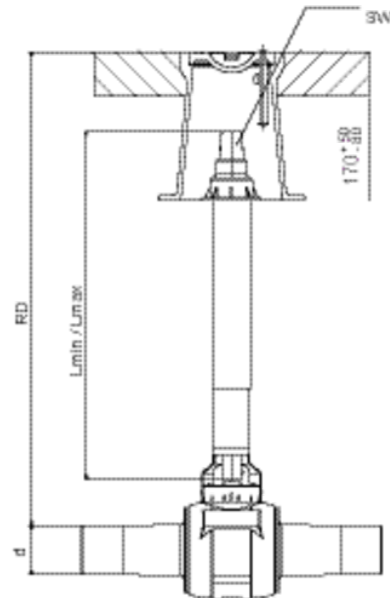
Actuating linkage for ball valves

Actuating linkage KBS for ball valves

- To operate the ball valves from the road cap downwards
- Wrench size SW14 (14 mm) and SW30 (30 mm)
- Telescopic bar:
 - Length fitting
 - Continuously adjustable (without tools)
- Self-supporting
- Corrosion protected (actuating element and coupling sleeve made of hot-dip galvanised cast steel, linkage made of hot-dip galvanised steel)

Note:

Stable seating for the sleeve pipe bell at the nominal size of 20-50, by means of a design comprising a housing.



Reference	d	RD in m	BX	PU	l_{min}	l_{max}	SW	Weight kg
615741	20-50	0,45 - 0,7	1	42	398	543	30	2,000
615957	20-50	0,6 - 1,0	1	42	548	843	14	2,200
615328	20-50	0,6 - 1,0	1	42	490	785	30	2,000
616466	20-50	1,0 - 1,5	1	42	759	1303	14	2,850
615330	20-50	1,0 - 1,5	1	42	799	1343	30	3,600
616068	20-50	1,2 - 2,0	1	42	991	1785	14	3,650
615329	20-50	1,2 - 2,0	1	42	1049	1843	30	4,450
615958	63-225	0,6 - 1,0	1	42	537	812	14	1,700
615310	63-225	0,6 - 1,0	1	42	490	785	30	2,780
616467	63-225	1,0 - 1,5	1	42	746	1272	14	5,050

Actuating linkage for ball valves

Reference	d	RD in m	BX	PU	l _{min}	l _{max}	SW	Weight kg
615331	63-225	1,0 - 1,5	1	42	786	1312	30	4,200
616069	63-225	1,2 - 2,0	1	42	980	1754	14	3,450
615311	63-225	1,2 - 2,0	1	42	1038	1812	30	4,950
617586	20-50	0,62 - 0,79	1	42	350	520	30 + 14	2,000

Wrench size SW₁ 14 mm for use as a domestic connection fitting

Other lengths available on request.

For ball valve KH d50 with the same pipe, select variant d63-225

KBS

Actuating linkage for ball valves

Areas of Application

Telescopic actuating linkage for operation of the FRIALEN KHP, KH, KHW, AKHP und AKHP-TL from the street cap.

Assembly Instructions

Before fusion, the FRIALEN KHP, KH, KHW, AKHP and AKHP-TL must be aligned to suit the type of actuation intended, in order to ensure that the installation kit KBS will seat correctly.

Good reasons for using the FRIALEN-Installation kits KBS:

- Protective pipe of polyethylene protects from intrusion of sand or soil
- Assembly without tools
- Self supporting in any extended position
- Safe from being pulled out
- Corrosion protected
- Telescope assembly set can be adjusted even once in place and filled
- Constructive harmonizing of the transferable torque onto the FRIALEN-Ball Valve
- Connection pins made from stainless steel
- Coloured marking disk for use with gas and water
- Parts of the protective pipe are fully welded together