

Rainwater Gullies

REDI



2.2 RAINWATER GULLIES

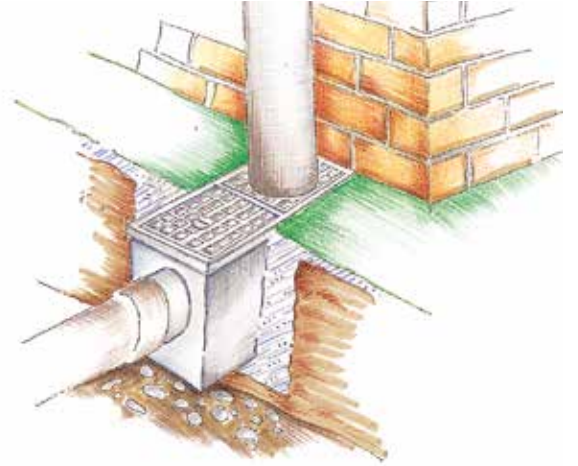
Rainwater Gullies



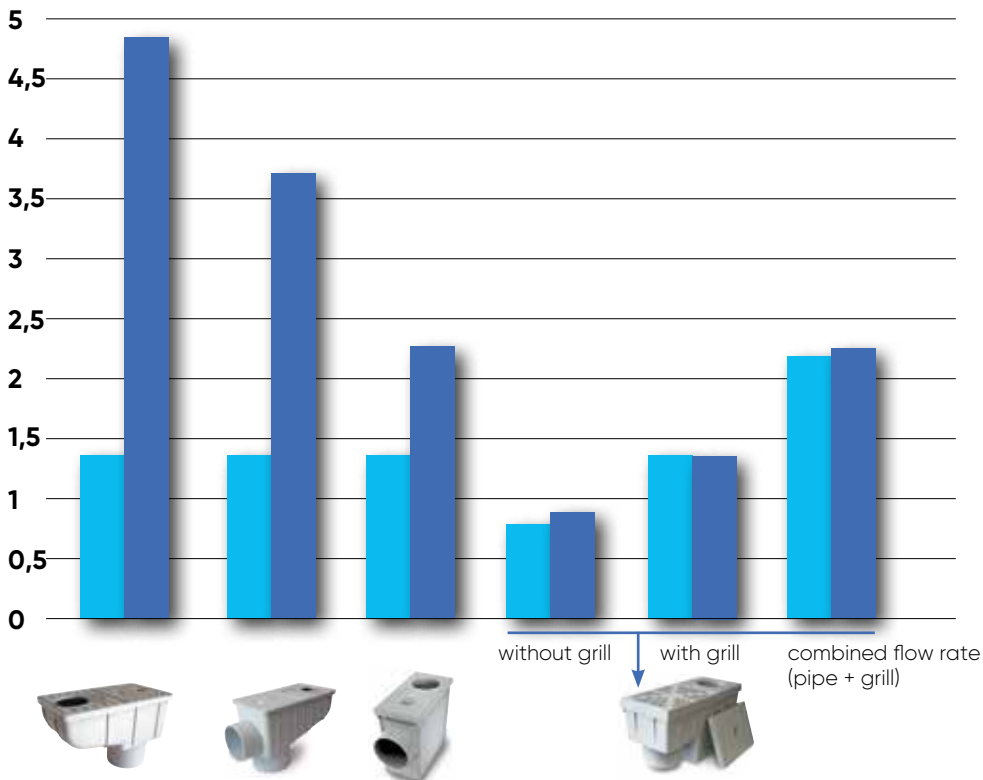
Installation example



Installation example



- Flow rate ex EN1253-1 § 8.11 (l/s)
- Flow rate measured on product (l/s)



Untrapped rainwater gully with vertical/horizontal outlet

Regard de descente pour eaux pluviales sortie verticale/horizontale sans siphon - Arqueta para bajante de aguas pluviales, no sifónica, salida vertical/horizontal



Dim AxB (mm)	Reference Grey Ral 7035			Ø (mm)	Ø1 (inlets) (mm)	H (mm)		Material
166x300	Y891004	3	42	100/110	50/75/80/90/100/110/125	215	3,7	PP

Material: Polypropylene

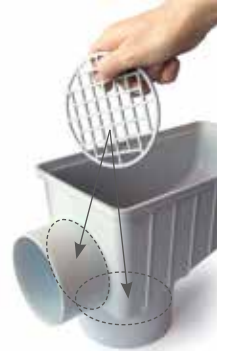
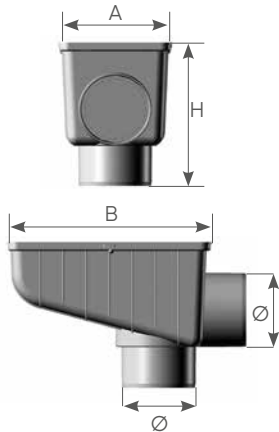
Use: inspection chamber for rainwater flowing from gutter downpipes to the sewage.

Benefits:

ICE PREVENTION; light-weight; easier installation than concrete version; fully injection moulded; leaf guard to be positioned in horizontal or vertical direction; high durability in the long term; internal removable baffle plate; cover fasten to the gully or grill; available with round inlet Ø: 50/75/80/90/100/110/125; vertical and horizontal outlet Ø100 (internal) Ø110 (external); internal removable baffle plate; cover or grill fasten to the gully

Installation: a concrete floor seating is recommended.

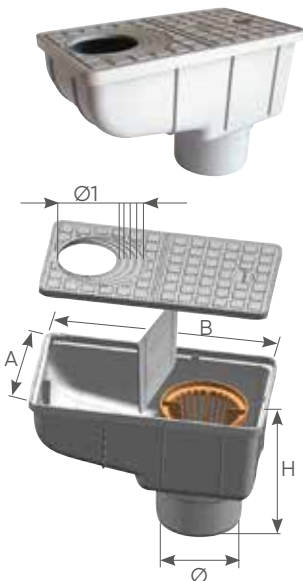
Application field: pavements, grass or paved walkways.



2.2 RAINWATER GULLIES

Untrapped rainwater gully with vertical outlet

Regard de descente pour eaux pluviales sortie verticale sans siphon - Arqueta para bajante de aguas pluviales, no sifónica, salida vertical



Dim AxB (mm)	Reference Grey Ral 7035			Ø (mm)	Ø1 (inlets) (mm)	H (mm)	C (mm)		Mat.
166x300	Y881004 ♦	6	84	100	50/75/80/90/100/110	195	80	4,9	PP
166x300	Y881104 ♦	6	84	110	50/75/80/90/100/110	195	80	4,9	PP

Tested by **CSTB**

♦ Available in BLACK and BROWN colours on request

Material: Polypropylene

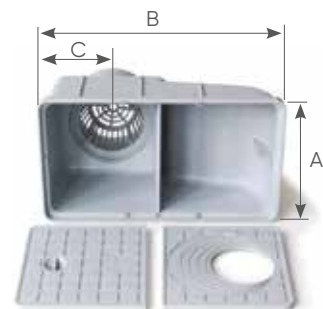
Use: inspection chamber for rainwater flowing from gutter downpipes to the sewage.

Benefits:

ICE PREVENTION; light-weight; easier installation than concrete version; fully injection moulded; high durability in the long term; access cover with handle; leaves basket (except in model with Ø125 mm); internal removable baffle plate; available with round inlet Ø: 75/80/90/100/110; vertical outlet Ø100, Ø110 and Ø125

Installation: a concrete floor seating is recommended.

Application field: pavements, grass or paved walkways.



Easy to adapt



Supplied with basket



Trapped rainwater gully round inlet vertical outlet

Regard de descente avec siphon sortie verticale

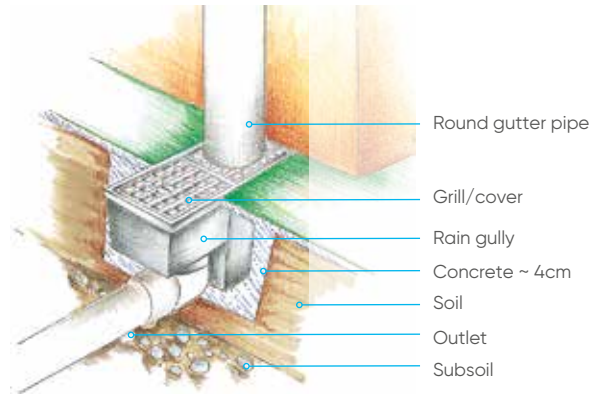
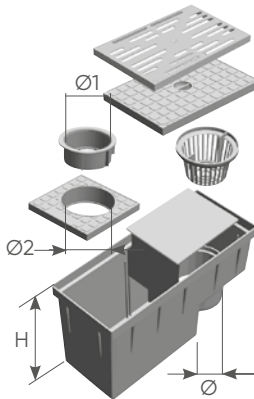
Arqueta sifónica para bajante de aguas pluviales, salida vertical

Dim AxB (mm)	Reference Grey Ral 7035			Ø (mm)	Ø1 (mm)	Ø2 (mm)	H (mm)	 L/s	Material
380x156	Y661304	3	42	100	80	100	197	* 0,9 - 1,4	PP
380x156	Y662204	3	42	110	75/90	110	197	* 0,8 - 1,4	PP
380x156	Y663304	3	42	110	80	100	197	* 0,9 - 1,4	PP

Tested by **CSTB**

* Flow rate in accordance with regulation EN 1253-1 §8.11 (measured with and without grill)

◆ Available in BLACK colour on request



Material: Polypropylene

Use: trapped inspection chamber for rainwater flowing from gutter downpipes to the sewage.

Benefits: - light-weight

- easier installation than concrete version
- fully injection moulded
- high durability
- leaves basket
- Internal removable baffle plate
- available with round inlet Ø: 80/100 or Ø 75/90/110
- vertical outlet Ø 100 and Ø 110.

Installation: a concrete floor seating is recommended.

Application field: pavements, grass or paved walkways.

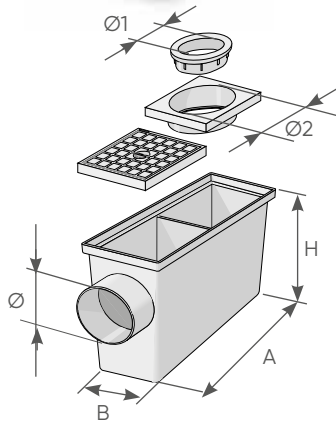
**Rainwater gully:
the right solution**

Existing solutions



Trapped rainwater gully with round inlet and horizontal outlet

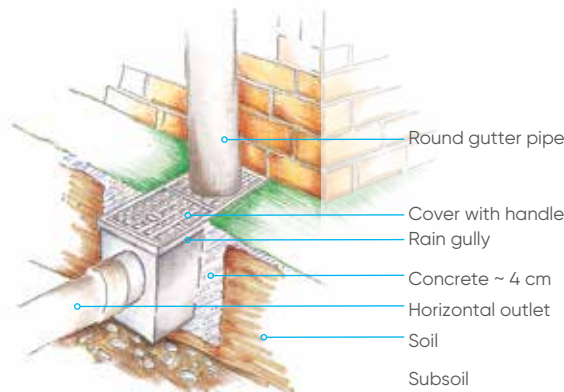
Regard de descente avec siphon pour eaux pluviales entrée ronde sortie horizontale - Arqueta sifónica para bajante de aguas pluviales, salida horizontal



Dim Ax B (mm)	Reference Grey Ral 7035			Ø (mm)	Ø1 (mm)	Ø2 (mm)	H (mm)		Material
240x128	Y661504	16	128	100	80	100	215	* 2,3	PP
240x128	Y662004	16	128	110	80	100	215	* 2,3	PP
240x128	Y661904	16	128	110	75	110	215	* 2,3	PP

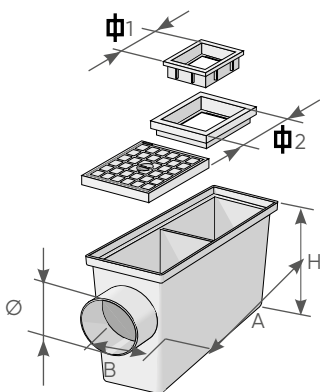
Tested by **CSTB**

* Flow rate in accordance with regulation EN 1253-1 §8.11 (measured with and without grill)



Trapped rainwater gully with square inlet and horizontal outlet

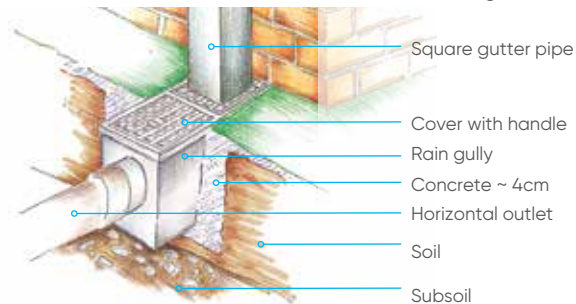
Regard de descente avec siphon pour eaux pluviales, entrée carrée sortie horizontale - Arqueta sifónica para bajante de aguas pluviales, salida horizontal



Dim Ax B (mm)	Reference Grey Ral 7035			Ø (mm)	Ø1 (mm)	Ø2 (mm)	H (mm)		Material
240x128	Y771504	16	128	100	80	100	215	* 2,3	PP
240x128	Y772004	16	128	110	80	100	215	* 2,3	PP

Tested by **CSTB**

* Flow rate in accordance with regulation EN 1253-1 §8.11 (measured with and without grill)



Material: Polypropylene

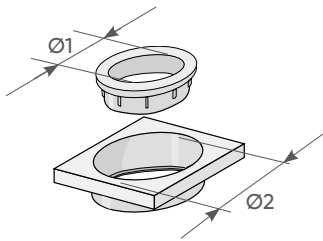
Use: inspection chamber for rainwater flowing from gutter downpipes to the sewage.

- Benefits:
- light-weight
 - easier installation than concrete version
 - fully injection moulded
 - high durability
 - access cover with handle
 - internal removable baffle plate
 - available with either square or round inlet
ROUND Ø 80/100 or Ø 75/110
SQUARE Ø 80/100
 - horizontal outlet Ø 100 and Ø 110.

Installation: a concrete floor seating is recommended.

Application field: pavements, grass or paved walkways.

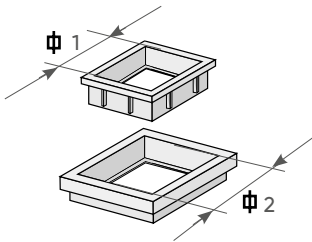
Spare Parts - Pièces de rechang - Repuestos



Round adaptor (horizontal outlet) Adapteur rond - Adaptador redondo

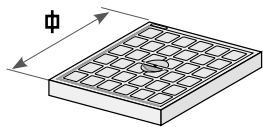
Ø1 (mm)	Ø2 (mm)	Reference Grey Ral 7035			Note
80	100	Y6688PO	20	1200	Two components
75	110	Y6677PO*	31	1.860	Two components

*upon request



Square adaptor (horizontal outlet) Adapteur carré - Adaptador cuadrado

Ø1 (mm)	Ø2 (mm)	Reference Grey Ral 7035			Note
80	100	Y6666PQ	25	1.500	Two components



Cover Tampon - Tapa

Ø (mm)	Reference Grey Ral 7035			Note
118	Y665504	50	6.400	

Spare parts for untrapped rainwater gully Pièces de rechange pour eaux pluviales Repuestos para arqueta de aguas pluviales



Dim (mm)	Reference Grey Ral 7035			Note
146x160	NW29104*	1	3.456	Cover
146x160	NW73304	3	-	Cover with round inlet Ø: 50/75/80/90/100/110/125

*upon request